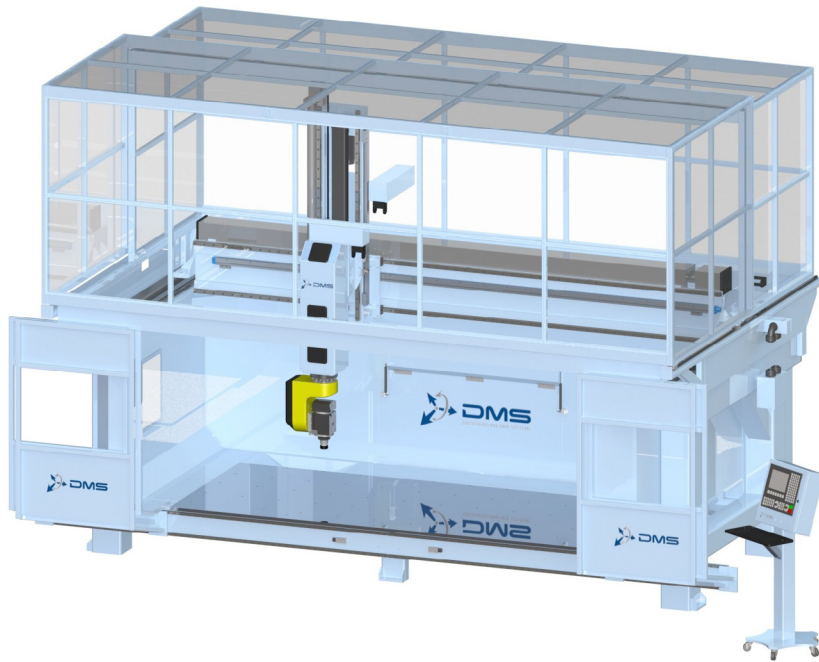




# 5 Axis CNC Machining Centers



## 5 Axis Enclosed Long Bridge

### **DMS 12' x 5' x 48" (pictured)**

Diversified Machine Systems' 5 Axis Enclosed CNC routers offer the safety & precision required by many industries. Complete in-house steel fabrication & machine assembly assures that each machine is robust, precise and high performing. For custom sizes & additional options, please contact the DMS factory.

## Specifications

### Standard Sizes

- Widths
  - 7 feet / 2 meters
  - 10 feet / 3 meters
  - 12 feet / 3.6 meters
- Depth
  - 5 feet / 1.5 meters
  - 7 feet / 2 meters

### Standard Features

- Fagor 8055 Controller
- Fagor Sercos Servo Drive System
- 2 Year Warranty on Fagor Components
- 12 Position Tool Rack
- Backbone 36" Z Axis
- 460 Volt, 3 Phase Power
- Manual Doors
- Enclosed on Four Sides

### Optional Model

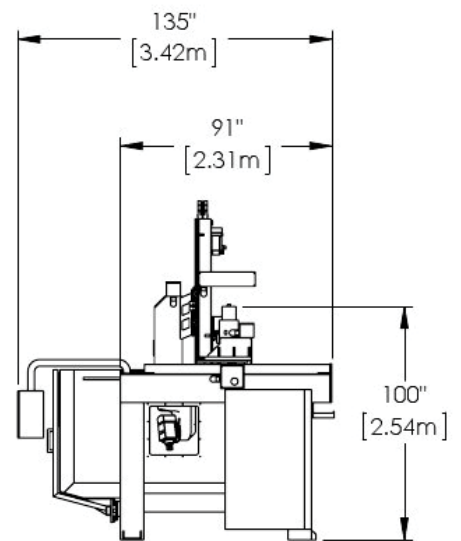
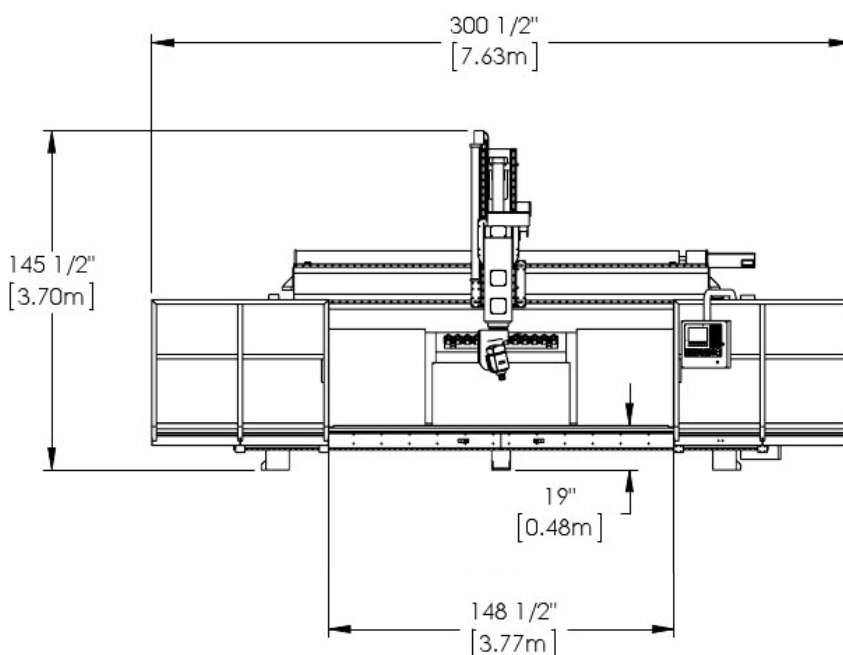
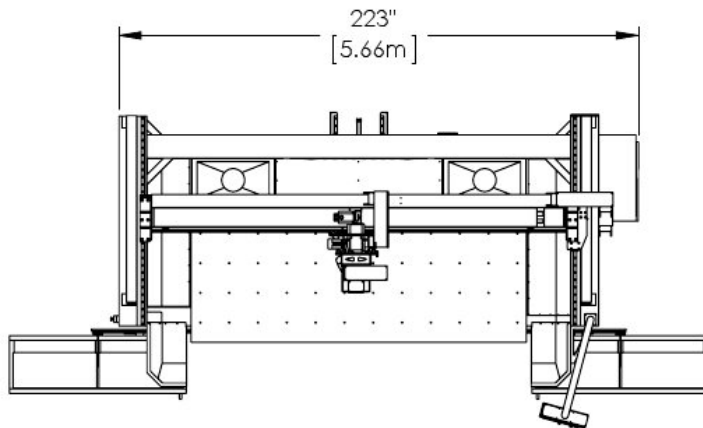
- Fagor 8065 Controller
- Available for International Markets
- Optional 48" or 60" Z Stroke
- Multiple Table Configurations
- Top Enclosure
- Scales
- Spindle Options from 5 HP - 12 HP
- Continuous C Rotation
- Automatic Lubrication System

### Diversified Machine Systems

1068 Elkton Drive Colorado Springs, CO 80907  
Phone: 719.226.5066 | Fax: 719.226.9810

[www.dmscncrouters.com](http://www.dmscncrouters.com)

# 5 Axis Long Bridge Machine Drawing



**DMS 12'(w) x 5'(d) x 48"(h) (pictured)**