



## 5 Axis D5E Machine

### Twin Table Model (pictured)

Diversified Machine Systems machines are equipped with top of the line spindles & tools, a high performance Fagor CNC Controller, precision machine tool positioning components and Fagor Drive System providing true tool path stability, speed & accuracy. The DMS D5E includes a one year limited warranty.

## Specifications

### Standard Sizes

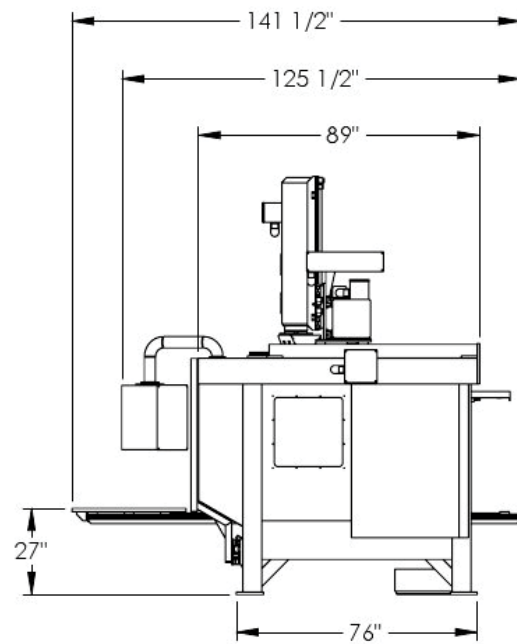
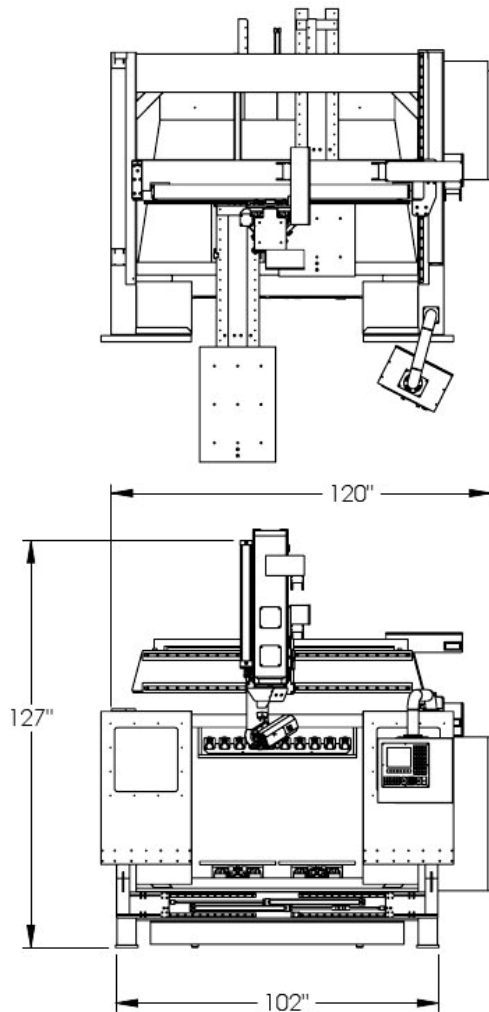
- 4' x 3' Stationary Table
- Twin 2' x 3' Shuttle Tables

### Standard Features

- Fagor 8055 Controller
- Fagor Sercos Servo Drive System
- 2 Year Warranty on Fagor Components
- 36" x 48" x 1" Z Aluminum Table with 3/8" Inserts on 6" Centers
- 30" Ram Style Z Axis
- 460 Volt, 3 Phase Power
- Includes Collection Pan
- 7 HP Double-Ended Spindle

### Optional Features

- Automatic Tool Changer
- 6.2 HP HSD Quick Change Spindle
- Tool Change Spindle
- Tool Height Sensor
- Automatic Vacuum Valve
- Automatic Lubrication System



**Twin 2'(w) x 3'(d) Table Model (pictured)**