

3 Axis SS3 Machine

Shuttle Table 10' x 5' (pictured)

Diversified Machine Systems is an Original Equipment Manufacturer of high quality, precision CNC machining centers, tools and routers. The 3 Axis SS3 features an enclosed model design and for custom sizes & options, please contact the DMS factory.

Specifications

Standard Sizes

- Widths
10 feet / 3 meters
6 feet / 3.6 meters
- Depths
5 feet / 1.5 meters

Standard Features

- Fagor 8055 Controller
- Fagor Sercos Servo Drive System with Absolute Encoders
- 2 Year Warranty on Fagor Components
- 460 Volt, 3 Phase Power
- 2 Zone Vacuum Table
- Fully Enclosed
- Manual Doors
- 12" Z Axis

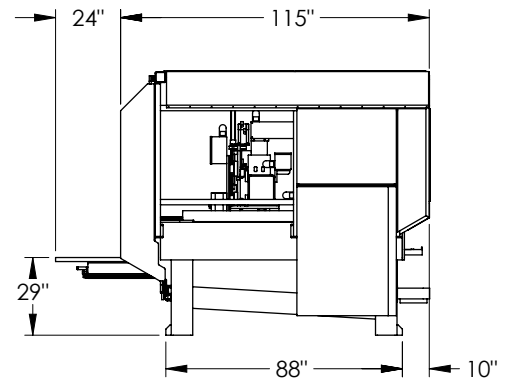
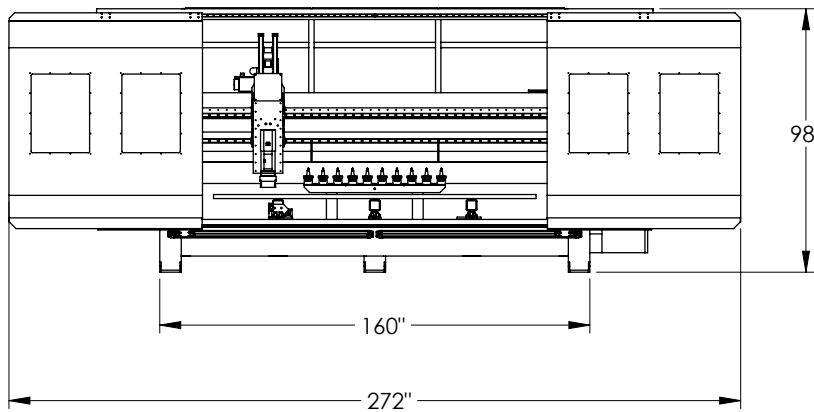
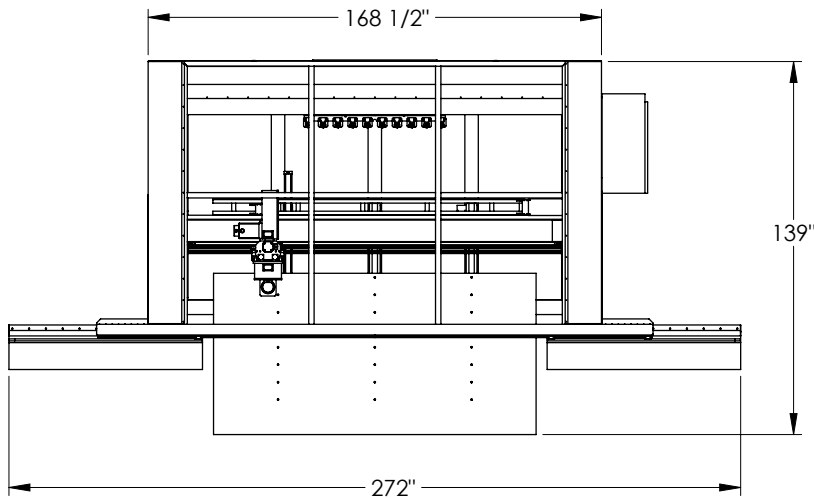
Optional Features

- Multiple Spindle Options
- Multiple Table Configurations
- Automatic Lubrication System
- Shuttle Table for Easy Loading & Unloading
- Automatic Tool Height Sensor
- Automatic Doors
- Heavy Duty Model with 18" Z Axis



DMS
DIVERSIFIED MACHINE SYSTEMS

3 Axis SS3 Machine Drawing



SS3 10'(w) x 5'(d) x 12"(h) with Shuttle Table (pictured)

Diversified Machine Systems

1068 Elkton Drive Colorado Springs, CO 80907

Phone: 719.226.5066 | Fax: 719.226.9810

2014.v4

www.dmsncrouters.com