



## 3 Axis Moving Table Machine

### HD 12' x 5' x 12" (pictured)

Diversified Machine Systems aims to provide a high-quality, precision solution for nearly every industry. These 3 Axis Moving Table CNC Routers offer a stationary bridge with moving single or twin tables, and single or multiple spindle options. For custom sizes & additional options, please contact the DMS factory.

## Specifications

### Standard Sizes

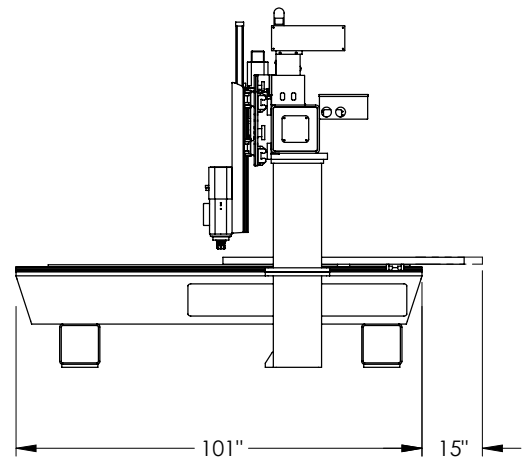
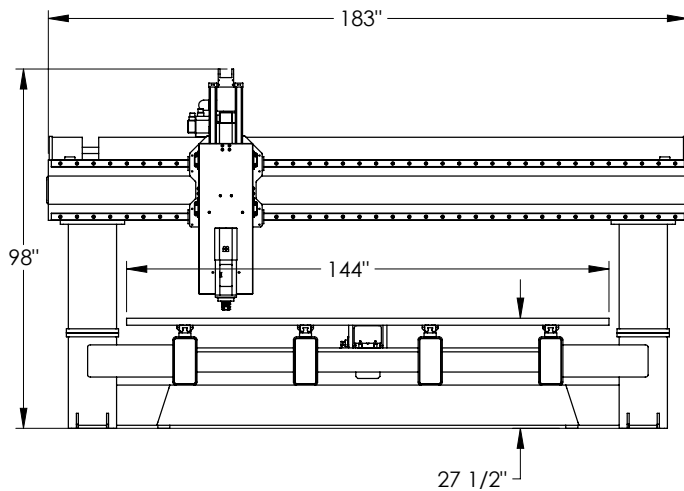
- Widths
  - 5 feet / 1.5 meters
  - 10 feet / 3 meters
  - 12 feet / 3.6 meters
- Depths
  - 5 feet / 1.5 meters
  - 8 feet / 2.3 meters
  - 10 feet / 3 meters

### Standard Features

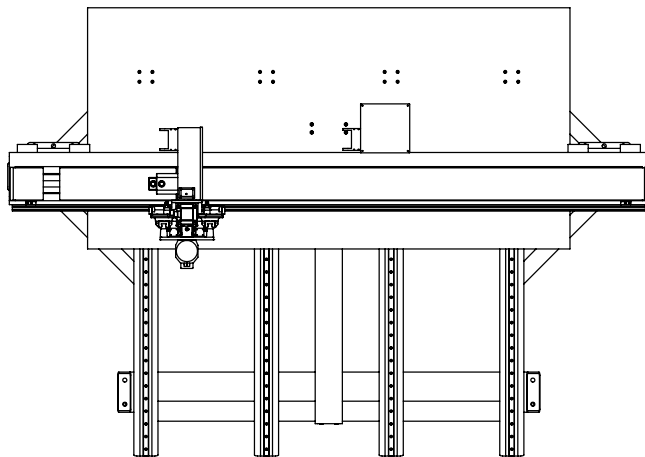
- Fagor 8055 Controller
- Fagor Servo Drive System with Absolute Encoders on All Axes
- 460 Volt, 3-Phase Power
- Aluminum Table
- Steel Carriage & Face Plates
- 12" Z Stroke

### Optional Features\*

- Spindle Options from 5 HP - 30 HP
- Twin Tables
- Multiple Table Configurations
- Heavy Duty Package
- 18" Z Stroke
- Multiple Tool Changers
- Automatic Lubrication System
- Retractable Dust Hood
- Extend 1 Year to 2 Year Warranty on Fagor Components



**Heavy Duty 12'(w) x 5'(d) x 18"(h) (pictured)**



\*Contact DMS Sales for a full list of optional features at [Sales@DMSCNCRouters.com](mailto:Sales@DMSCNCRouters.com) or 855.266.5064.