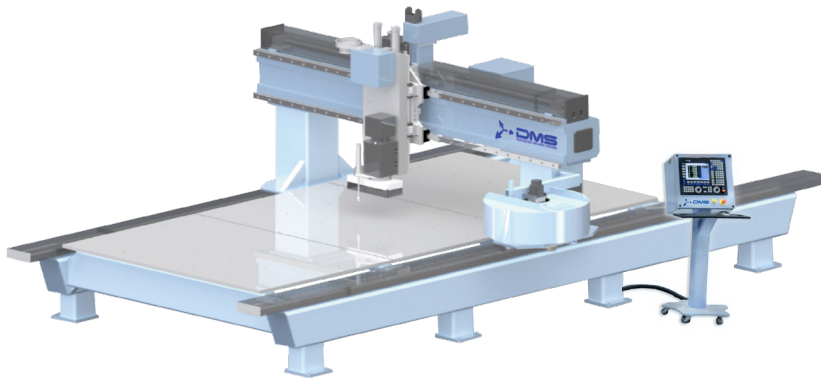




3 Axis CNC Machining Centers



3 Axis Moving Gantry Machine

6' x 12' Gantry (pictured)

Diversified Machine Systems' line of 3 Axis CNC Machining Centers and routers come in many shapes, sizes and with many different options. This model is available in a standard duty or heavy duty format. For custom sizes & options, please contact the DMS factory.

Specifications

Standard Sizes

- Widths
- 5 feet / 1.5 meters
- 6 feet / 1.8 meters
- 8 feet / 2.3 meters
- 10 feet / 3 meters
- 12 feet / 3.6 meters
- Depth
- 10 feet / 3 meters
- 15 feet / 4.5 meters
- 20 feet / 6 meters
- 25 feet / 7.5 meters

Standard Features

- Fagor 8055 Controller
- Fagor Sercos Servo Drive System
- 2 Year Warranty on Fagor Components
- 460 Volt, 3 Phase Power
- 12" Z Axis
- Aluminum Vacuum Table
- Helical Rack & Pinion on Gantry
- Steel Carriage & Face Plates

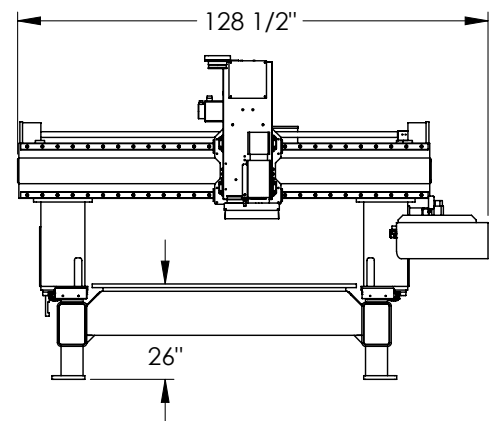
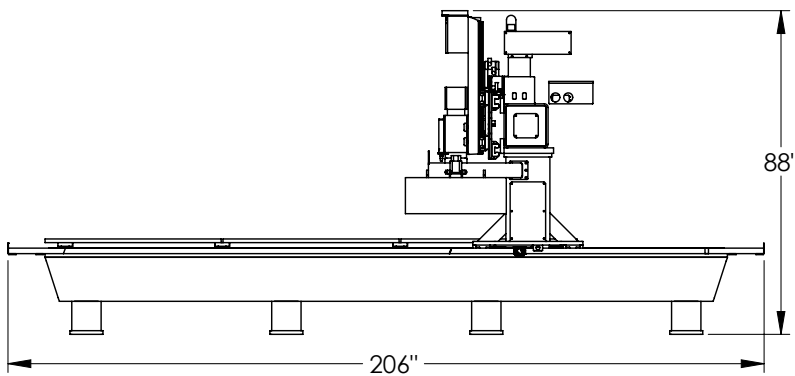
Optional Heavy Duty Model

- Fagor 8065 Controller
- 45 mm Rails on Bridge
- 35 mm Rails on Table & Z Axis
- Cast Iron Carriage & Face Plates
- 18", 24", 30", 36", or 48" Z Stroke
- Spindle Options from 5 HP - 12 HP
- Multiple Table Configurations
- Automatic Lubrication System

Diversified Machine Systems

1068 Elkton Drive Colorado Springs, CO 80907
Phone: 719.226.5066 | Fax: 719.226.9810

www.dmscncrouters.com



6'(w) x 12'(d) Moving Gantry (pictured)

