



## 5 Axis Large Format Gantry

### 10' x 25' Gantry (pictured)

Diversified Machine Systems' 5 Axis Large Format CNC Routers offer the precision required by many industries. Complete in-house steel fabrication & assembly assures that each machine is the highest-performing machine available. For custom sizes & options, please contact the DMS factory.

## Specifications

### Standard Sizes

- Widths
  - 5 feet / 1.5 meters
  - 6 feet / 1.8 meters
  - 8 feet / 2.3 meters
  - 10 feet / 3 meters
  - 12 feet / 3.6 meters
- Depths
  - 10 feet / 3 meters
  - 15 feet / 4.5 meters
  - 20 feet / 6 meters
  - 25 feet / 7.5 meters

### Standard Features

- Fagor 8055 Controller
- Fagor Sercos Drive System with Absolute Encoders on All Linear Axes
- 460 Volt, 3-Phase Power
- Aluminum Table
- Dual Helical Rack & Pinion Drive
- Sealed Electrical Cabinet with A/C
- 48" Z Stroke

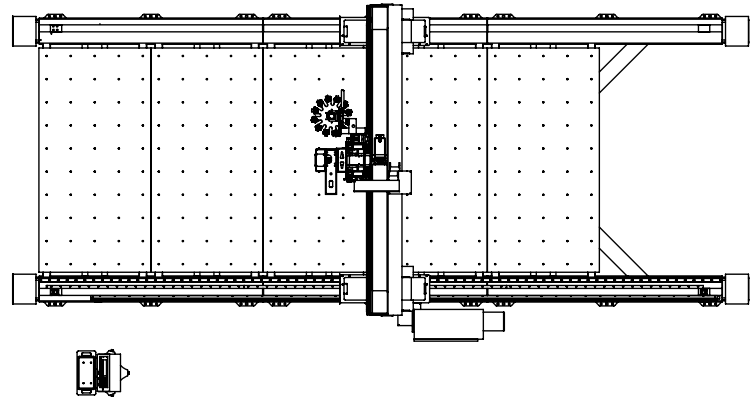
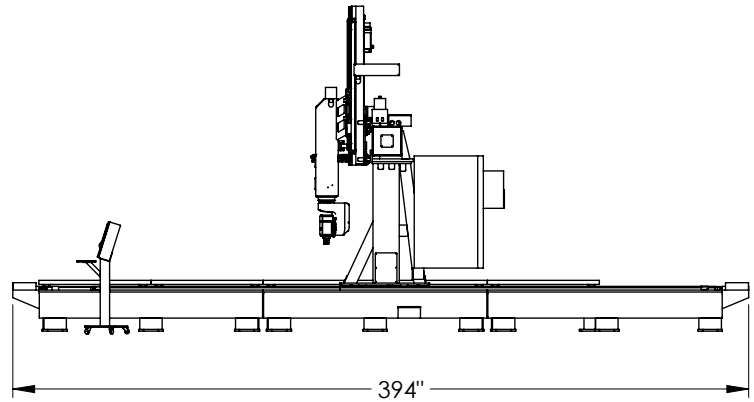
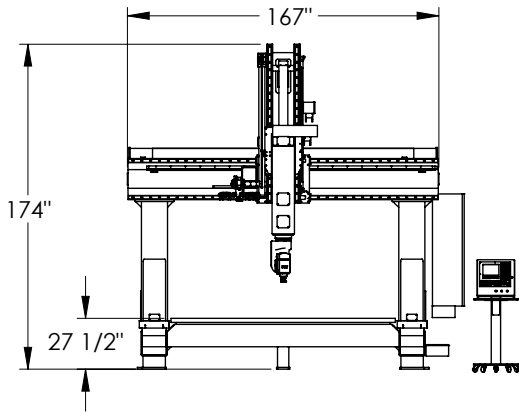
### Optional Features\*

- Fagor 8065 Controller
- Spindle Options from 5 HP - 30 HP
- 60", 72" or 96" Z Stroke
- Automatic Tool Changers
- Bridge Bellows
- Continuous C Rotation
- Automatic Lubrication System
- Absolute Linear Feedback Scales
- Absolute Encoders on Rotary Axes
- Extend 1 Year to 2 Year Warranty on Fagor Components



**DMS**  
DIVERSIFIED MACHINE SYSTEMS

# 5 Axis Large Format Gantry Drawing



**10'(w) x 25'(d) x 60"(h) Gantry (pictured)**

\*Contact DMS Sales for a full list of optional features at [Sales@DMSCNCRouters.com](mailto:Sales@DMSCNCRouters.com) or 855.266.5064.

**Diversified Machine Systems**

1068 Elkton Drive Colorado Springs, CO 80907  
Phone: 855.266.5064 | Fax: 719.226.9810

2014.v5

[www.dmsncrouters.com](http://www.dmsncrouters.com)