



3 Axis D3 Gantry

5' x 12' x 10" D3 (pictured)

Diversified Machine Systems is an Original Equipment Manufacturer of high quality, precision CNC machining centers, tools and routers. The 3 Axis D3 Gantry features a stationary table design with various customization options and includes a one year limited warranty.

Specifications

Standard Sizes

- Widths
 - 5 feet / 1.5 meters
- Depths
 - 5 feet / 1.5 meters
 - 10 feet / 3 meters
 - 12 feet / 3.6 meters

Standard Features

- Fagor 8037 Controller
- Fagor Servo Drive System with Absolute Encoders on All Axes
- 220 Volt, 3-Phase Power
- Phenolic Table
- 10 Position ATC Tool Rack
- 10" Z Stroke

Optional Features*

- Fagor 8055 Controller
- Spindle Options from 3 HP - 18 HP
- Aluminum Table
- 15" Z Stroke
- 10 Position ATC Carousel
- Tool Length Setters
- Automatic Lubrication System
- Retractable Dust Hood
- Extend 1 Year to 2 Year Warranty on Fagor Components

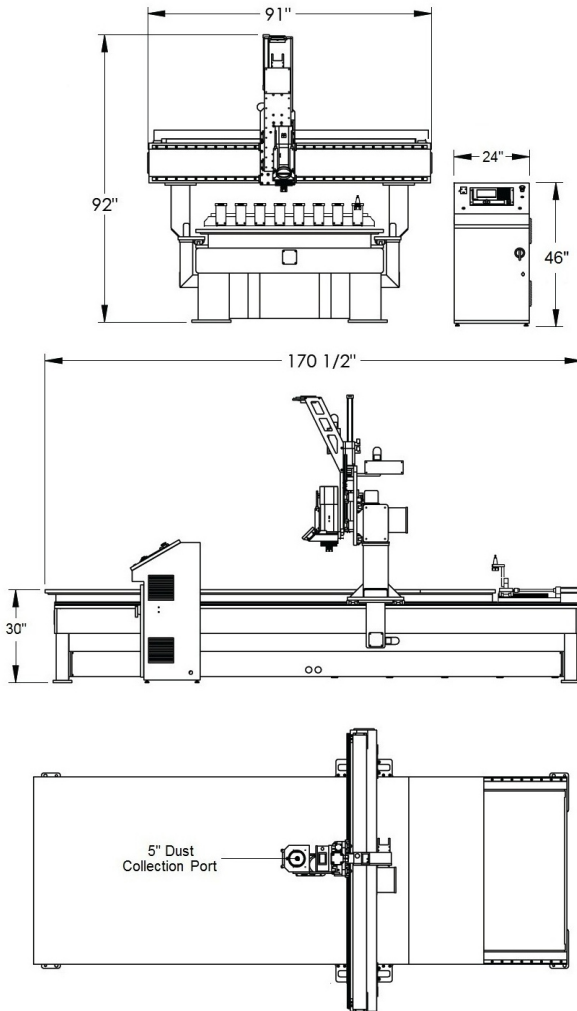
D3 with Standard 10" Z Axis

5'x12'x10" Z (Standard - Tool Rack Model - Dim. as Shown)

5'x10'x10" Z (Length Remains the Same)

5'x5'x10" Z (Length Decreases to 86 1/2")

Tool Rack Model (Shown Below)



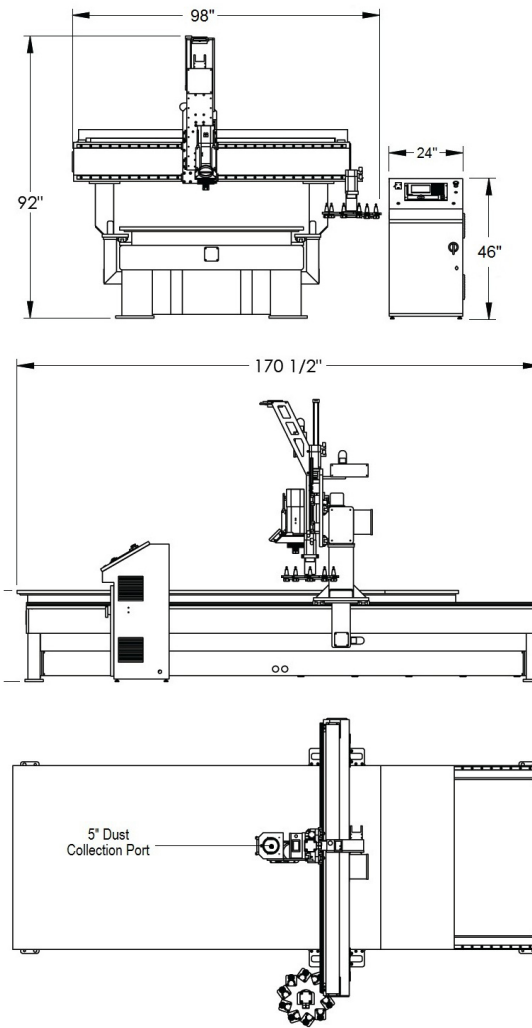
D3 with Extended 15" Z Axis (Machine Height Increases to 104")

5'x12'x15" Z (Length Remains the Same)

5'x10'x15" Z (Length Remains the Same)

5'x5'x15" Z (Length Decreases to 86 1/2")

Tool Carousel Model (Shown Below)



*Contact DMS Sales for a full list of optional features at Sales@DMSCNCRouters.com or 855.266.5064.