



## 3 Axis Gantry Machine

### 6' x 10' Gantry (pictured)

Diversified Machine Systems' line of 3 Axis CNC Machining Centers and routers come in many shapes, sizes and with many different options. This model is available in a standard duty or heavy duty format. For custom sizes & options, please contact the DMS factory.

## Specifications

### Standard Sizes

- Widths
  - 5 feet / 1.5 meters
  - 6 feet / 1.8 meters
  - 8 feet / 2.3 meters
  - 10 feet / 3 meters
  - 12 feet / 3.6 meters
- Depths
  - 10 feet / 3 meters
  - 15 feet / 4.5 meters
  - 20 feet / 6 meters
  - 25 feet / 7.5 meters

### Standard Features

- Fagor 8055 Controller
- Fagor Servo Drive System with Absolute Encoders on All Axes
- 460 Volt, 3-Phase Power
- Aluminum Table
- Helical Rack & Pinion on Gantry
- Steel Carriage & Face Plates
- 12" Z Stroke

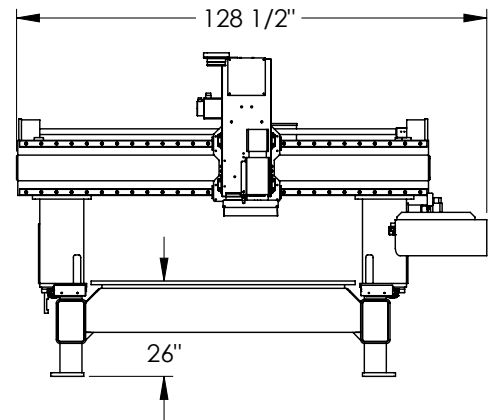
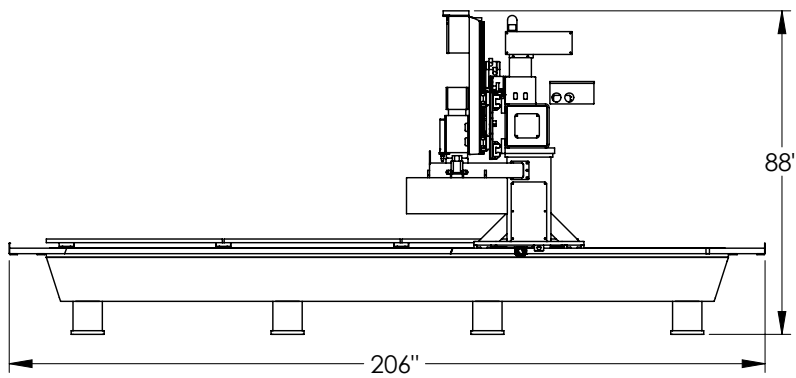
### Optional Features\*

- Spindle Options from 5 HP - 30 HP
- Multiple Table Configurations
- Heavy Duty Package
- 18", 24", 30", 36", or 48" Z Stroke
- Multiple Tool Changers
- Automatic Lubrication System
- Retractable Dust Hood
- Extend 1 Year to 2 Year Warranty on Fagor Components

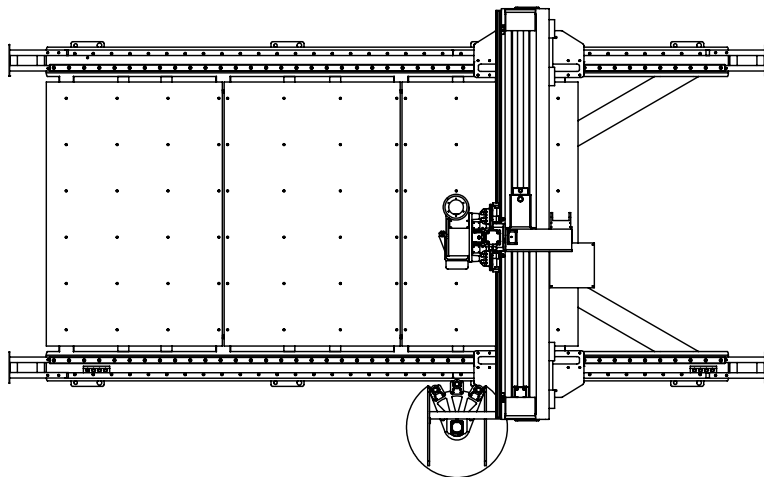


**DMS**  
DIVERSIFIED MACHINE SYSTEMS

# 3 Axis Gantry Machine Drawing



**6'(w) x 10'(d) Gantry (pictured)**



\*Contact DMS Sales for a full list of optional features at [Sales@DMSCNCRouters.com](mailto:Sales@DMSCNCRouters.com) or 855.266.5064.

**Diversified Machine Systems**

1068 Elkton Drive Colorado Springs, CO 80907  
Phone: 855.266.5064 | Fax: 719.226.9810

2014.v5

[www.dmsncrouters.com](http://www.dmsncrouters.com)