



5 Axis CNC Machining Centers



5 Axis Overhead Side Wall

5 Axis 10' x 20' x 48" (pictured)

Diversified Machine Systems offers a full line of Large Format CNC Routers. The Side Wall features an open frame structure without a table surface so to customize the fixture platform. For custom sizes & additional options, please contact the DMS factory.

Specifications

Standard Sizes

- Widths
 - 8 feet / 2.3 meters
 - 10 feet / 3 meters
 - 15 feet / 4.5 meters
 - 20 feet / 6 meters
- Depth
 - 10 feet / 3 meters
 - 15 feet / 4.5 meters
 - 20 feet / 6 meters
 - 25 feet / 7.5 meters
 - 30 feet / 9 meters

Standard Features

- Fagor 8055 Controller
- Fagor Sercos Servo Drive System
- 2 Year Warranty on Fagor Components
- Overhead Gantry, No Table
- 48" Z Axis
- 460 Volt, 3 Phase Power
- Dual Helical Rack & Pinion Drive
- Air Conditioner
- Gantry Bellows

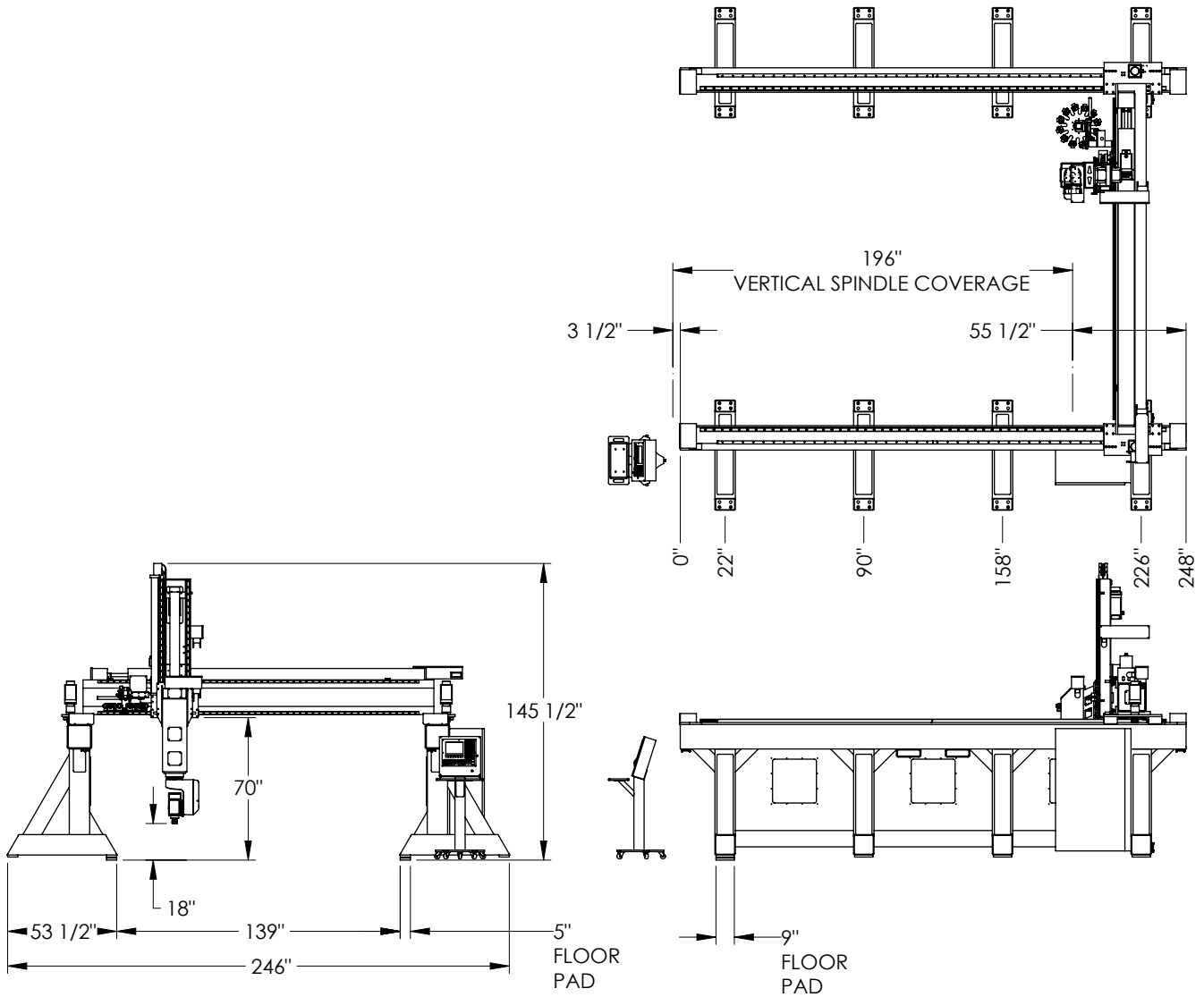
Optional Features

- Fagor 8065 Controller
- Available for International Markets
- 60", 72", 84", or 96" Z Stroke
- Enclosure
- Stand Alone Table
- Spindle Options from 5 HP - 12 HP
- Continuous C Rotation
- Automatic Lubrication System

Diversified Machine Systems

1068 Elkton Drive Colorado Springs, CO 80907
Phone: 719.226.5066 | Fax: 719.226.9810

www.dmscncrouters.com



Overhead Side Wall 10'(w) x 15'(d) x 48"(h) (pictured)