



# 5 Axis CNC Machining Centers



## 5 Axis Moving Gantry Machine

### 10' x 25' Gantry (pictured)

Diversified Machine Systems' 5 Axis Large Format CNC Routers offer the precision required by many industries. Complete in-house steel fabrication & assembly assures that each machine is the highest-performing machine available. For custom sizes & options, please contact the DMS factory.

## Specifications

### Standard Sizes

- Widths
- 5 feet / 1.5 meters
- 6 feet / 1.8 meters
- 8 feet / 2.3 meters
- 10 feet / 3 meters
- 12 feet / 3.6 meters
- Depth
- 10 feet / 3 meters
- 15 feet / 4.5 meters
- 20 feet / 6 meters
- 25 feet / 7.5 meters

### Standard Features

- Fagor 8055 Controller
- Fagor Sercos Servo Drive System
- 2 Year Warranty on Fagor Components
- 460 Volt, 3 Phase Power
- 48" Z Axis
- Aluminum Table with 3/8" Inserts on 12" Centers
- Dual Helical Rack & Pinion Drive
- Air Conditioner

### Optional Features

- Fagor 8065 Controller
- 60", 72" or 96" Z Stroke
- Scales
- Bridge Bellows
- Steel Tables
- Spindle Options from 5 HP - 12 HP
- Continuous C Rotation
- Automatic Lubrication System

### Diversified Machine Systems

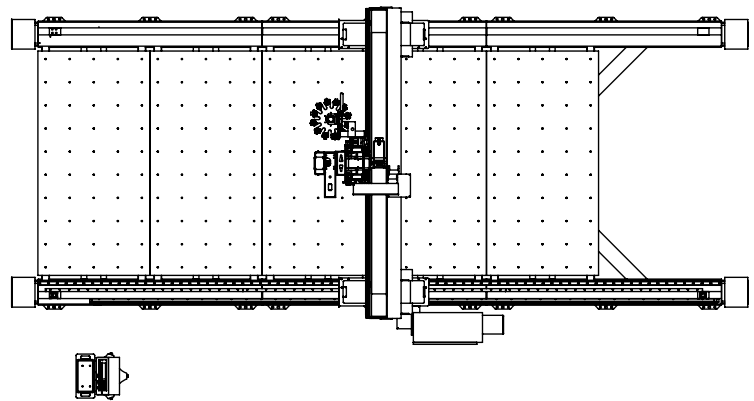
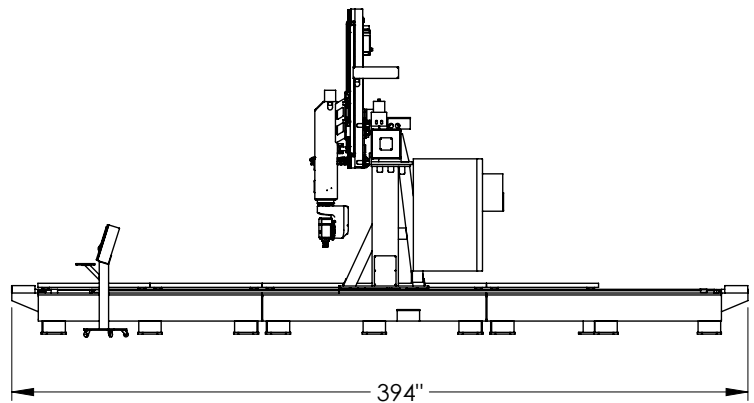
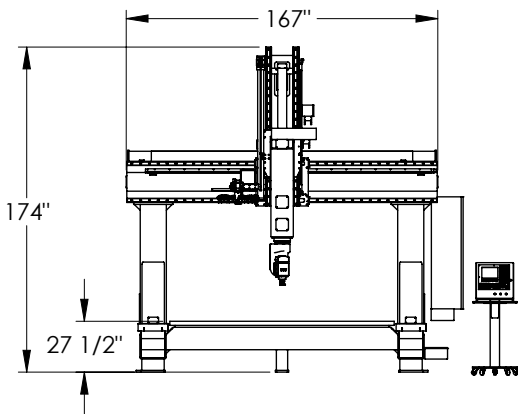
1068 Elkton Drive Colorado Springs, CO 80907  
Phone: 719.226.5066 | Fax: 719.226.9810

[www.dmscncrouters.com](http://www.dmscncrouters.com)



**DMS**  
DIVERSIFIED MACHINE SYSTEMS

# 5 Axis Moving Gantry Machine Drawing



**10'(w) x 25'(d) x 60"(h) Gantry (pictured)**

**Diversified Machine Systems**

1068 Elkton Drive Colorado Springs, CO 80907  
Phone: 719.226.5066 | Fax: 719.226.9810

2013.v3  
[www.dmscncrouters.com](http://www.dmscncrouters.com)